



## AVK REPICO® - HINGE TYPE REPAIR COUPLING LONG VERSION (RHL)

747/82-114

For all pipes, stainless steel 316, FKM

AVK's Repico® product program consists of stainless steel pipe couplings and repair couplings for pipe diameters from DN 15 up to DN 2000. The Repico® range offers a quick and simple connection solution for all pipes with possibility of angular deflection and easy handling due to the compact and light weight design.

### Product description:

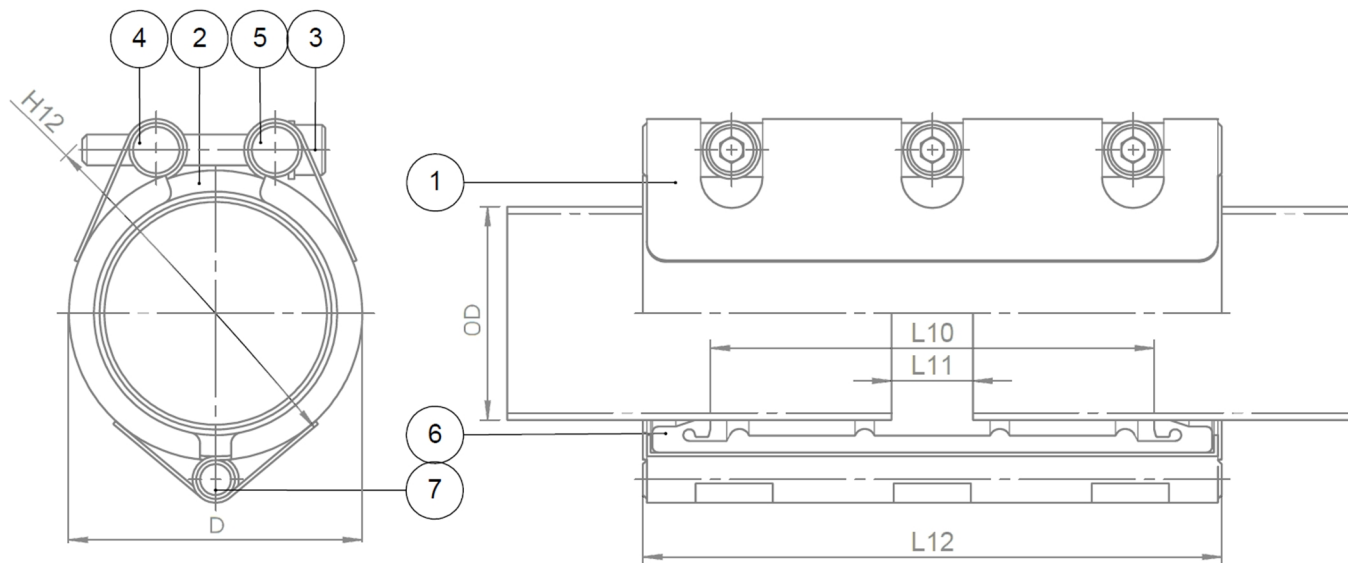
Repico® RHL - Hinge type repair coupling long version to repair all pipes. For chemicals -30° C up to +250° C

### Features:

- Hinge type repair coupling long version provides a repair solution for all pipes that needs to be repaired permanently or temporarily. Available in DN 25-600
- Progressive sealing
- Available in different lengths from 100 up to 250 mm (3.9" up to 9.8")
- Easy installation by use of a torque wrench, limited space required for installation due to compact design
- Pressure range up to 42,7 bar (620PSI) depending on size
- Made of stainless steel 316
- Green PTFE coated bolts
- Light weight.



Expect ... **AVK**



**Component list:**

|               |                                   |            |                     |
|---------------|-----------------------------------|------------|---------------------|
| 1. Body       | Stainless steel 316               | 5. Washer  | Stainless steel 316 |
| 2. Side plate | Stainless steel 316               | 6. Sealing | Viton               |
| 3. Bolt       | Stainless steel 316 / PTFE coated | 7. Rod     | Stainless steel 316 |
| 4. Nut        | Stainless steel 316               |            |                     |

Components may be substituted with equivalent or higher class materials without prior notification.

**Reference nos. and dimensions:**

