



## AVK REPICO® - HINGE TYPE REPAIR COUPLING LONG VERSION (RHL)

747/82-113

For all pipes, stainless steel 316, SILICONE

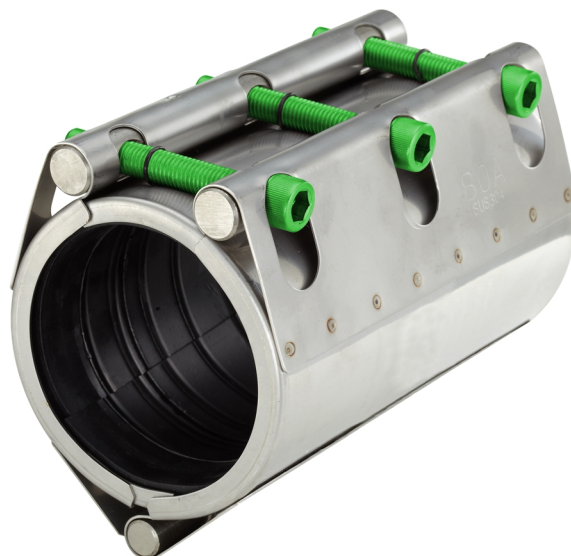
AVK's Repico® product program consists of stainless steel pipe couplings and repair couplings for pipe diameters from DN 15 up to DN 2000. The Repico® range offers a quick and simple connection solution for all pipes with possibility of angular deflection and easy handling due to the compact and light weight design.

### Product description:

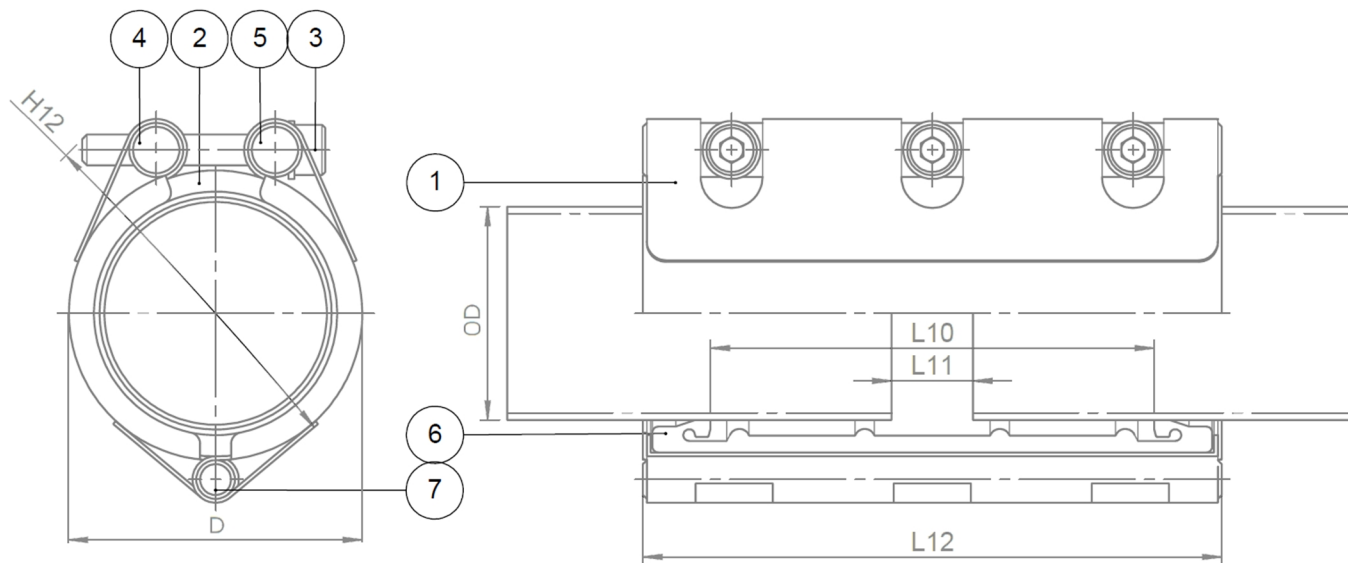
Repico® RHL - Hinge type repair coupling long version to repair all pipes. For water and neutral liquids -70° C up to +200° C

### Features:

- Hinge type repair coupling long version provides a repair solution for all pipes that needs to be repaired permanently or temporarily. Available in DN 25-600
- Progressive sealing
- Available in different lengths from 100 up to 250 mm (3.9" up to 9.8")
- Easy installation by use of a torque wrench, limited space required for installation due to compact design
- Pressure range up to 42,7 bar (620PSI) depending on size
- Made of stainless steel 316
- Green PTFE coated bolts
- Light weight.



Expect... **AVK**



**Component list:**

1. Body	Stainless steel 316	5. Washer	Stainless steel 316
2. Side plate	Stainless steel 316	6. Sealing	Silicone Rubber
3. Bolt	Stainless steel 316 / PTFE coated	7. Rod	Stainless steel 316
4. Nut	Stainless steel 316		

Components may be substituted with equivalent or higher class materials without prior notification.

**Reference nos. and dimensions:**

AVK ref. no.	Tolerance mm	Pipe diam. mm	Working Pressure / bar	D mm	H12 mm	L10 mm	L11 mm	L12 mm	Bolts (no x M x L)	Torque Nm	Theoretical weight / kg
747-82-0032-113	31,0 - 33,0	32,0	42	45	66	70	8	100	3XM8X50	7	0.6
747-82-0034-113	33,0 - 35,0	33,4	42	47	68	70	8	100	3XM8X50	7	0.6
747-82-0042-113	42,0 - 44,0	42,2	42	56	79	70	8	100	3XM8X55	7	0.7
747-82-0048-113	47,5 - 49,5	48,3	42	62	90	70	8	100	3XM8X65	7	0.7
747-82-0050-113	49,2 - 51,5	50,8	42	64	93	70	8	100	3XM8X65	7	0.7
747-82-0060-113	59,0 - 61,5	60,3	42	76	103	110	8	150	3XM8X65	12	1.3
747-82-0063-113	62,0 - 64,0	63,0	42	79	106	110	8	150	3XM8X65	12	1.4
747-82-0069-113	68,5 - 71,0	69,0	37	85	112	110	8	150	3XM8X65	12	1.4
747-82-0073-113	72,5 - 75,5	73,0	37	89	116	110	8	150	3XM8X65	12	1.4
747-82-0076-113	75,0 - 78,0	76,1	37	92	119	110	8	150	3XM8X65	12	1.5
747-82-0079-113	78,8 - 82,0	79,9	37	100	135	150	15	200	3XM12X85	30	2.7
747-82-0089-113	88,0 - 91,0	88,9	37	109	144	150	15	200	3XM12X85	30	2.8
747-82-0101-113	100,0 - 103,0	101,6	37	122	157	150	15	200	3XM12X85	30	2.9
747-82-0104-113	102,0 - 105,0	104,0	37	124	160	150	15	200	3XM12X85	40	2.9
747-82-0106-113	105,0 - 107,0	106,3	37	126	162	150	15	200	3XM12X85	40	3.0
747-82-0108-113	106,0 - 109,0	108,0	37	128	164	150	15	200	3XM12X85	40	3.0
747-82-0114-113	113,0 - 116,0	114,3	37	134	170	150	15	200	3XM12X85	40	3.0
747-82-0139-113	138,0 - 142,0	139,7	37	161	196	150	15	201	3XM12X85	40	4.0
747-82-0141-113	139,5 - 143,0	141,3	37	163	197	150	15	201	3XM12X85	40	4.0
747-82-0159-113	156,0 - 160,0	157,7	32	179	214	150	15	201	3XM12X85	40	4.2
747-82-0165-113	164,0 - 167,0	165,2	32	187	221	150	15	201	3XM12X85	40	4.3
747-82-0168-113	166,0 - 170,0	168,3	32	190	224	150	15	201	3XM12X85	40	4.3
747-82-0216-113	214,0 - 218,0	216,3	21	242	291	185	15	250	3XM16X120	60	9.9

The designs, materials and specifications shown are subject to change without notice due to the continuous development of our product range.

**AVK REPICO® - HINGE TYPE REPAIR COUPLING LONG VERSION (RHL)****747/82-113****For all pipes, stainless steel 316, SILICONE****Reference nos. and dimensions:**

AVK ref. no.	Tolerance mm	Pipe diam. mm	Working Pressure / bar	D mm	H12 mm	L10 mm	L11 mm	L12 mm	Bolts (no x M x L)	Torque Nm	Theoretical weight / kg
747-82-0219-113	216,5 - 221,0	219,1	21	245	294	185	15	250	3XM16X120	60	10.0
747-82-0267-113	262,0 - 269,0	267,4	21	293	342	185	15	250	3XM16X120	60	11
747-82-0273-113	270,0 - 276,0	273,0	21	299	348	185	15	250	3XM16X120	60	11
747-82-0318-113	316,0 - 322,0	318,5	18	345	393	185	15	250	3XM16X120	60	12
747-82-0323-113	322,0 - 328,0	323,9	18	350	398	185	15	250	3XM16X120	60	12