



AVK REPICO® - HINGE TYPE REPAIR COUPLING (RH)

747/81-114

For all pipes, stainless steel 316, FKM



AVK's Repico® product program consists of stainless steel pipe couplings and repair couplings for pipe diameters from DN 15 up to DN 2000. The Repico® range offers a quick and simple connection solution for all pipes with possibility of angular deflection and easy handling due to the compact and light weight design.



Product description:

Repico® RH - Hinge type repair coupling to repair all pipes. For chemicals -30° C up to +250° C

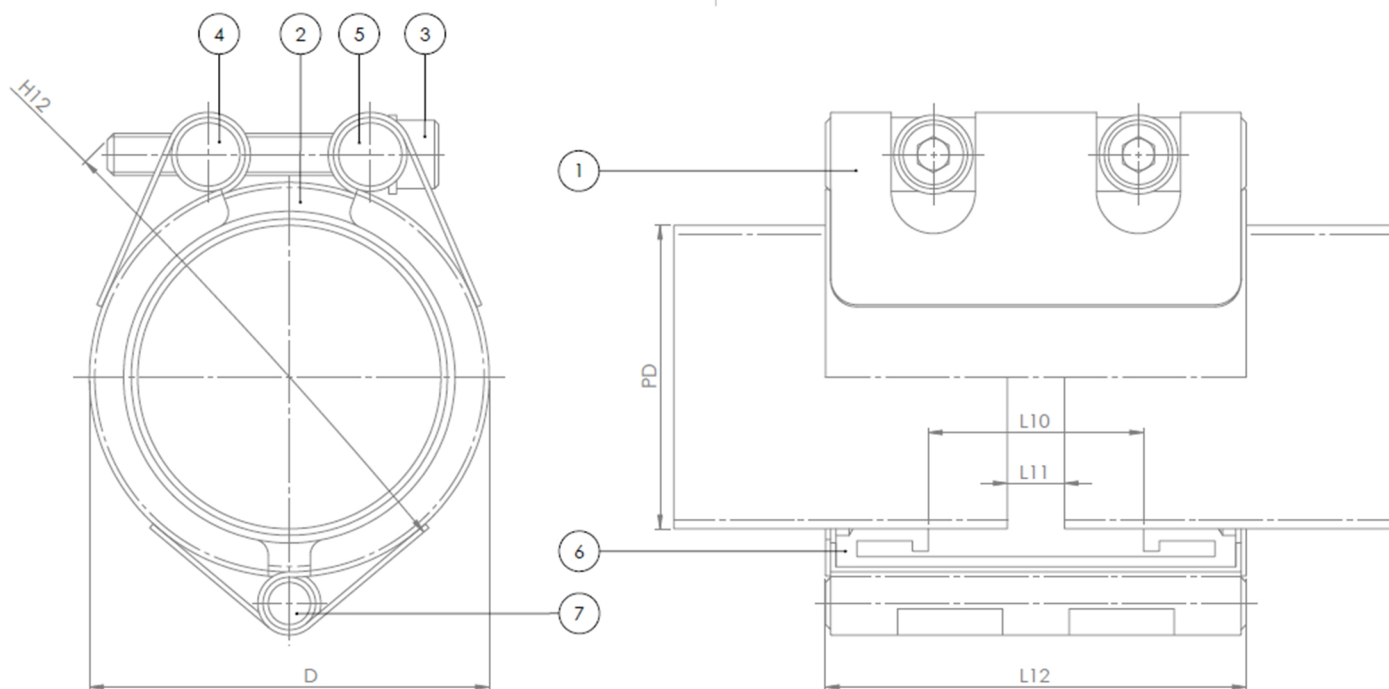


Features:

- Hinge type repair coupling provides a repair solution for all pipes that needs to be repaired permanently or temporarily. Available in DN 15-600
- Progressive sealing
- Available in different lengths from 60 up to 150 mm (2.4" to 5.9")
- Easy installation by use of a torque wrench, limited space required for installation due to compact design
- Pressure range up to 42,7 bar (620 OSU) depending on size
- Made of stainless steel 316
- Green PTFE coated bolts
- Light weight



Expect ... **AVK**



Component list:

1. Body	Stainless steel 316	5. Washer	Stainless steel 316
2. Side plate	Stainless steel 316	6. Sealing	Viton
3. Bolt	Stainless steel 316 / PTFE coated	7. Rod	Stainless steel 316
4. Nut	Stainless steel 316		

Components may be substituted with equivalent or higher class materials without prior notification.

Reference nos. and dimensions:

AVK ref. no.	Tolerance mm	Pipe diam. mm	Working Pressure / bar	D mm	H12 mm	L10 mm	L11 mm	L12 mm	Bolts (no x M x L)	Torque Nm	Theoretical weight / kg
747-81-0020-114	19,5 - 20,5	20,0	42	29	50	28	8	60	2XM6X50	7	0.3
747-81-0021-114	21,0 - 22,0	21,3	42	31	52	28	8	60	2XM6X50	7	0.3
747-81-0025-114	24,0 - 26,0	25,0	42	38	59	28	8	60	2XM8X50	7	0.4
747-81-0027-114	26,0 - 28,0	26,7	42	40	61	28	8	60	2XM8X50	7	0.4
747-81-0028-114	26,4 - 29,0	28,2	42	42	62	28	8	60	2XM8X50	7	0.4
747-81-0030-114	29,0 - 31,0	30,0	42	43	64	28	8	60	2XM8X50	7	0.4
747-81-0032-114	31,0 - 33,0	32,0	42	45	66	28	8	60	2XM8X50	7	0.4
747-81-0034-114	33,0 - 35,0	33,4	42	47	68	28	8	60	2XM8X50	7	0.4
747-81-0038-114	37,0 - 39,0	38,0	42	51	75	28	8	60	2XM8X55	7	0.4
747-81-0040-114	39,5 - 41,3	40,0	42	53	77	28	8	60	2XM8X55	7	0.4
747-81-0042-114	42,0 - 44,0	42,2	42	56	79	28	8	60	2XM8X55	7	0.4
747-81-0044-114	44,0 - 46,0	44,5	42	58	86	28	8	60	2XM8X65	7	0.4
747-81-0048-114	47,5 - 49,5	48,3	42	62	90	28	8	60	2XM8X65	7	0.5
747-81-0050-114	49,2 - 51,5	50,8	42	64	93	28	8	60	2XM8X65	7	0.5
747-81-0054-114	53,0 - 55,0	54,0	42	70	97	44	8	80	2XM8X65	12	0.7
747-81-0057-114	56,0 - 58,0	57,0	42	73	100	44	8	80	2XM8X65	12	0.7
747-81-0060-114	59,0 - 61,5	60,3	42	76	103	44	8	80	2XM8X65	12	0.7
747-81-0063-114	62,0 - 64,0	63,0	42	79	106	44	8	80	2XM8X65	12	0.7
747-81-0066-114	65,4 - 68,3	66,7	37	83	110	44	8	80	2XM8X65	12	0.8
747-81-0069-114	68,5 - 71,0	69,0	37	85	112	44	8	80	2XM8X65	12	0.8
747-81-0073-114	72,5 - 75,5	73,0	37	89	116	44	8	80	2XM8X65	12	0.8
747-81-0076-114	75,0 - 78,0	76,1	37	92	119	44	8	80	2XM8X65	12	0.8
747-81-0079-114	78,8 - 82,0	79,9	37	100	135	59	15	110	2XM12X85	30	1.6

The designs, materials and specifications shown are subject to change without notice due to the continuous development of our product range.

AVK REPICO® - HINGE TYPE REPAIR COUPLING (RH)**747/81-114****For all pipes, stainless steel 316, FKM****Reference nos. and dimensions:**

AVK ref. no.	Tolerance mm	Pipe diam. mm	Working Pressure / bar	D mm	H12 mm	L10 mm	L11 mm	L12 mm	Bolts (no x M x L)	Torque Nm	Theoretical weight / kg
747-81-0084-114	82,5 - 85,5	84,0	37	104	140	59	15	110	2XM12X85	30	1.6
747-81-0089-114	88,0 - 91,0	88,9	37	109	144	59	15	110	2XM12X85	30	1.6
747-81-0101-114	100,0 - 103,0	101,6	37	122	157	59	15	110	2XM12X85	30	1.7
747-81-0104-114	102,0 - 105,0	104,0	37	124	160	59	15	110	2XM12X85	40	1.7
747-81-0106-114	105,0 - 107,0	106,3	37	126	162	59	15	110	2XM12X85	40	1.7
747-81-0108-114	106,0 - 109,0	108,0	37	128	164	59	15	110	2XM12X85	40	1.7
747-81-0114-114	113,0 - 116,0	114,3	37	134	170	59	15	110	2XM12X85	40	1.7
747-81-0127-114	125,0 - 129,0	127,0	37	149	183	59	15	111	2XM12X85	40	2.1
747-81-0129-114	127,5 - 130,0	129,0	37	151	185	59	15	111	2XM12X85	40	2.2
747-81-0133-114	131,0 - 135,0	131,7	37	153	188	59	15	111	2XM12X85	40	2.2
747-81-0139-114	138,0 - 142,0	139,7	37	161	196	59	15	111	2XM12X85	40	2.2
747-81-0141-114	139,5 - 143,0	141,3	37	163	197	59	15	111	2XM12X85	40	2.3
747-81-0154-114	151,5 - 155,0	154,0	32	176	210	59	15	111	2XM12X85	40	2.3
747-81-0159-114	156,0 - 160,0	157,7	32	179	214	59	15	111	2XM12X85	40	2.4
747-81-0165-114	164,0 - 167,0	165,2	32	187	221	59	15	111	2XM12X85	40	2.4
747-81-0168-114	166,0 - 170,0	168,3	32	190	224	59	15	111	2XM12X85	40	2.4
747-81-0180-114	178,0 - 182,0	180,0	26	202	236	59	15	111	2XM12X85	45	2.5
747-81-0200-114	198,0 - 203,0	200,0	21	226	270	89	15	150	2XM14X110	60	5.0
747-81-0204-114	202,0 - 206,0	204,0	21	230	274	89	15	150	2XM14X110	60	5.1
747-81-0216-114	214,0 - 218,0	216,3	21	242	286	89	15	150	2XM14X110	60	5.2
747-81-0219-114	216,5 - 221,0	219,1	21	245	289	89	15	150	2XM14X110	60	5.2
747-81-0254-114	251,0 - 257,0	254,0	21	280	324	89	15	150	2XM14X110	60	5.6
747-81-0267-114	262,0 - 269,0	267,4	21	293	337	89	15	150	2XM14X110	60	5.8
747-81-0273-114	270,0 - 276,0	273,0	21	299	343	89	15	150	2XM14X110	60	5.8
747-81-0304-114	301,5 - 308,0	304,0	18	330	374	89	15	150	2XM14X110	60	6.2
747-81-0318-114	316,0 - 322,0	318,5	18	345	388	89	15	150	2XM14X110	60	6.4
747-81-0323-114	322,0 - 328,0	323,9	18	350	393	89	15	150	2XM14X110	60	6.4
747-81-0355-114	352,0 - 360,0	355,6	18	382	430	89	15	150	2XM14X120	75	6.8
747-81-0406-114	402,0 - 410,0	406,4	16	432	481	89	15	150	2XM14X120	75	7.4
747-81-0457-114	453,0 - 460,0	457,2	16	483	532	89	15	150	2XM14X120	90	8.0
747-81-0508-114	504,0 - 512,0	508,0	13	534	583	89	15	150	2XM14X120	90	8.5
747-81-0558-114	555,0 - 563,0	558,8	12	585	633	89	15	150	2XM14X120	90	9.1
747-81-0609-114	605,0 - 614,0	609,6	11	636	684	89	15	150	2XM14X120	90	9.7

The designs, materials and specifications shown are subject to change without notice due to the continuous development of our product range.