



AVK REPICO® - REPAIR COUPLING FOR ELBOWS (RE)

747/71-113

For all pipes, stainless steel 316, SILICONE



AVK's Repico® product program consists of stainless steel pipe couplings and repair couplings for pipe diameters from DN 15 up to DN 2000. The Repico® range offers a quick and simple connection solution for all pipes with possibility of angular deflection and easy handling due to the compact and light weight design.



Product description:

Repico® RE - Repair coupling for elbows to repair elbows, bends or welds. For water and neutral liquids -70° C up to +200° C



Features:

- Repair coupling for elbows (only for long radius elbows, $R \geq 1.5D$), bends or weld provides a repair solution for all pipes that needs to be repaired permanently or temporarily. Available in DN 13-500
- Easy installation by use of a torque wrench, limited space required for installation due to compact design
- Pressure range up to 53 bar (769 PSI) depending on size
- Main components of stainless steel 316
- Green PTFE coated bolts
- Light weight

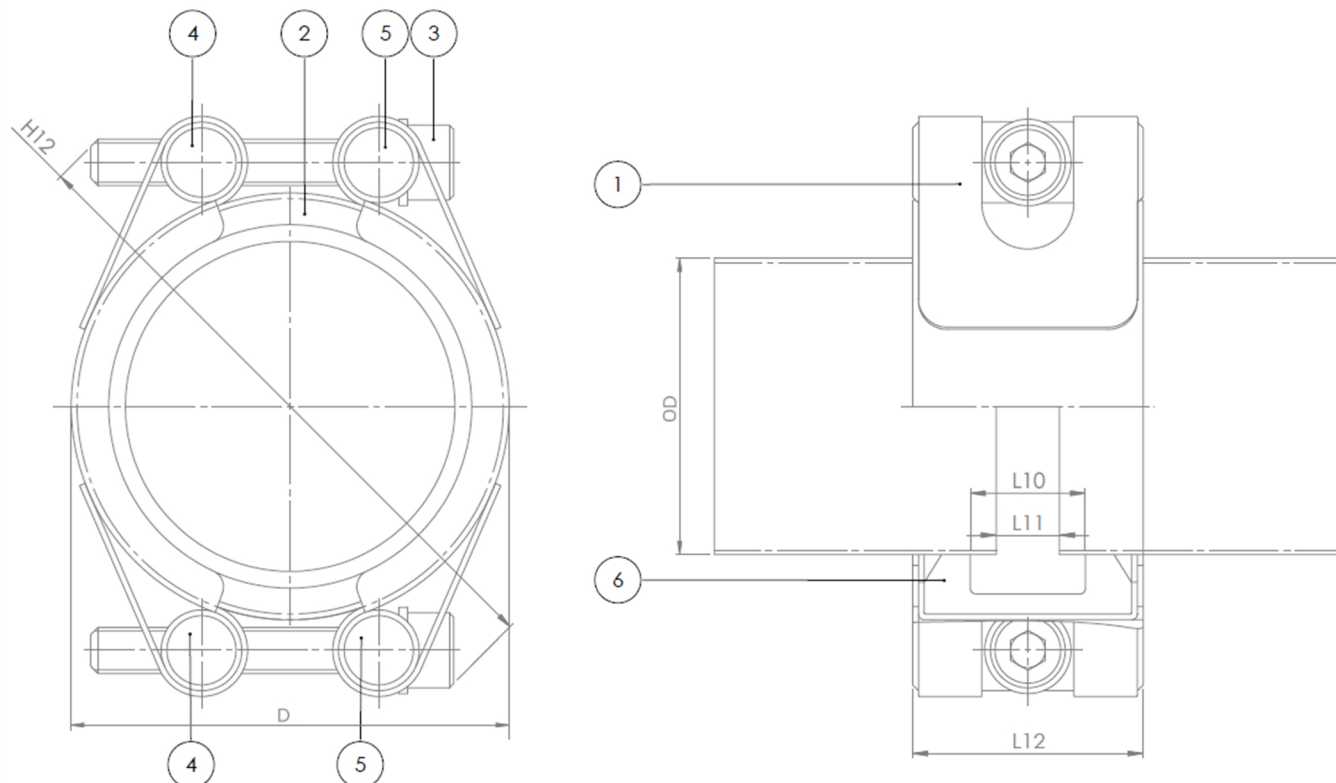


Expect ... **AVK**

AVK REPICO® - REPAIR COUPLING FOR ELBOWS (RE)

747/71-113

For all pipes, stainless steel 316, SILICONE



Component list:

1. Body	Stainless steel 316	4. Nut	Stainless steel 316
2. Side plate	Stainless steel 316	5. Washer	Stainless steel 316
3. Bolt	Stainless steel 316 / PTFE coated	6. Sealing	Silicone Rubber

Components may be substituted with equivalent or higher class materials without prior notification.

Reference nos. and dimensions:

AVK ref. no.	Tolerance mm	Pipe diam. mm	Working Pressure / bar	D mm	H12 mm	L10 mm	L11 mm	L12 mm	Bolts (no x M x L)	Torque Nm	Theoretical weight / kg
747-71-0015-113	15,3 - 17,0	15,5	53	26	46	8	8	27	2XM6X50	7	0.2
747-71-0020-113	19,5 - 20,5	20,0	46	34	55	10	8	27	2XM6X50	7	0.2
747-71-0021-113	21,0 - 22,0	21,3	46	35	56	10	8	27	2XM6X50	7	0.2
747-71-0025-113	24,0 - 26,0	25,0	46	39	60	10	8	27	2XM6X50	7	0.2
747-71-0027-113	26,0 - 28,0	26,7	46	41	61	10	8	27	2XM6X50	7	0.2
747-71-0028-113	26,4 - 29,0	28,2	46	42	63	10	8	27	2XM6X50	7	0.2
747-71-0030-113	29,0 - 31,0	30,0	46	44	65	10	8	27	2XM6X50	7	0.2
747-71-0032-113	31,0 - 33,0	32,0	46	46	67	10	8	27	2XM6X50	7	0.2
747-71-0034-113	33,0 - 35,0	33,4	46	47	68	10	8	27	2XM6X50	7	0.2
747-71-0038-113	37,0 - 39,0	38,0	46	52	73	10	8	27	2XM6X50	7	0.2
747-71-0040-113	39,5 - 41,3	40,0	46	54	75	10	8	27	2XM6X50	7	0.2
747-71-0042-113	42,0 - 44,0	42,2	46	56	77	10	8	27	2XM6X50	7	0.2
747-71-0044-113	44,0 - 46,0	44,5	40	59	79	10	8	27	2XM6X50	7	0.2
747-71-0048-113	47,5 - 49,5	48,3	40	62	83	10	8	27	2XM6X50	7	0.2
747-71-0050-113	49,2 - 51,5	50,8	40	65	85	10	8	27	2XM6X50	7	0.2
747-71-0054-113	53,0 - 55,0	54,0	40	70	97	18	8	40	2XM8X65	15	0.5
747-71-0057-113	56,0 - 58,0	57,0	40	73	100	18	8	40	2XM8X65	15	0.5
747-71-0060-113	59,0 - 61,5	60,3	40	76	103	18	8	40	2XM8X65	15	0.5
747-71-0063-113	62,0 - 64,0	63,0	40	79	106	18	8	40	2XM8X65	15	0.5
747-71-0066-113	65,4 - 68,3	66,7	40	83	110	18	8	40	2XM8X65	15	0.5
747-71-0069-113	68,5 - 71,0	69,0	40	85	112	18	8	40	2XM8X65	15	0.5
747-71-0073-113	72,5 - 75,5	73,0	40	89	116	18	8	40	2XM8X65	15	0.5
747-71-0076-113	75,0 - 78,0	76,1	40	92	119	18	8	40	2XM8X65	15	0.6
747-71-0079-113	78,8 - 82,0	79,9	40	100	135	29	15	60	2XM12X85	28	1.2

The designs, materials and specifications shown are subject to change without notice due to the continuous development of our product range.

AVK REPICO® - REPAIR COUPLING FOR ELBOWS (RE)**747/71-113****For all pipes, stainless steel 316, SILICONE****Reference nos. and dimensions:**

AVK ref. no.	Tolerance mm	Pipe diam. mm	Working Pressure / bar	D mm	H12 mm	L10 mm	L11 mm	L12 mm	Bolts (no x M x L)	Torque Nm	Theoretical weight / kg
747-71-0084-113	82,5 - 85,5	84,0	40	104	140	29	15	60	2XM12X85	28	1.3
747-71-0089-113	88,0 - 91,0	88,9	40	109	144	29	15	60	2XM12X85	28	1.3
747-71-0101-113	100,0 - 103,0	101,6	33	122	157	29	15	60	2XM12X85	28	1.3
747-71-0104-113	102,0 - 105,0	104,0	33	124	160	29	15	60	2XM12X85	28	1.3
747-71-0106-113	105,0 - 107,0	106,3	33	126	162	29	15	60	2XM12X85	28	1.3
747-71-0108-113	106,0 - 109,0	108,0	33	128	164	29	15	60	2XM12X85	28	1.3
747-71-0114-113	113,0 - 116,0	114,3	33	134	170	29	15	60	2XM12X85	28	1.3
747-71-0127-113	125,0 - 129,0	127,0	24	147	183	29	15	60	2XM12X85	28	1.4
747-71-0129-113	127,5 - 130,0	129,0	24	149	185	29	15	60	2XM12X85	28	1.4
747-71-0133-113	131,0 - 135,0	131,7	24	152	187	29	15	60	2XM12X85	28	1.4
747-71-0139-113	138,0 - 142,0	139,7	24	160	195	29	15	60	2XM12X85	28	1.4
747-71-0141-113	139,5 - 143,0	141,3	24	161	197	29	15	60	2XM12X85	28	1.4
747-71-0154-113	151,5 - 155,0	154,0	24	174	210	29	15	60	2XM12X85	28	1.5
747-71-0159-113	156,0 - 160,0	157,7	24	178	213	29	15	60	2XM12X85	28	1.5
747-71-0165-113	164,0 - 167,0	165,2	24	185	221	29	15	60	2XM12X85	28	1.5
747-71-0168-113	166,0 - 170,0	168,3	24	188	224	29	15	60	2XM12X85	28	1.5
747-71-0180-113	178,0 - 182,0	180,0	21	200	236	29	15	60	2XM12X85	28	1.5
747-71-0200-113	198,0 - 203,0	200,0	21	225	257	29	15	61	2XM12X85	40	2.0
747-71-0204-113	202,0 - 206,0	204,0	21	229	261	29	15	61	2XM12X85	40	2.0
747-71-0216-113	214,0 - 218,0	216,3	21	241	273	29	15	61	2XM12X85	40	2.0
747-71-0219-113	216,5 - 221,0	219,1	21	244	276	29	15	61	2XM12X85	40	2.0
747-71-0254-113	251,0 - 257,0	254,0	21	279	311	29	15	61	2XM12X85	40	2.1
747-71-0267-113	262,0 - 269,0	267,4	21	292	324	29	15	61	2XM12X85	40	2.2
747-71-0273-113	270,0 - 276,0	273,0	21	298	330	29	15	61	2XM12X85	40	2.2
747-71-0304-113	301,5 - 308,0	304,0	17	329	361	29	15	61	2XM12X85	40	2.3
747-71-0318-113	316,0 - 322,0	318,5	17	343	375	29	15	61	2XM12X85	40	2.4
747-71-0323-113	322,0 - 328,0	323,9	17	348	380	29	15	61	2XM12X85	40	2.4
747-71-0355-113	352,0 - 360,0	355,6	16	380	412	29	15	61	2XM12X85	40	2.5
747-71-0406-113	402,0 - 410,0	406,4	14	431	463	29	15	61	2XM12X85	40	2.7
747-71-0457-113	453,0 - 460,0	457,2	13	482	514	29	15	61	2XM12X85	40	2.9
747-71-0508-113	504,0 - 512,0	508,0	12	533	565	29	15	61	2XM12X85	40	3.1

The designs, materials and specifications shown are subject to change without notice due to the continuous development of our product range.