



## AVK REPICO® - SLIP GRIP TYPE COUPLING (SG)

745/52-114

Tensile / axial restraint - Non-tensile, for all metal pipes, stainless steel 316, FKM

AVK's Repico® product program consists of stainless steel pipe couplings and repair couplings for pipe diameters from DN 15 up to DN 2000. The Repico® range offers a quick and simple connection solution for all pipes with possibility of angular deflection and easy handling due to the compact and light weight design.

### Product description:

Repico® SG - Slip Grip type coupling (tensile / axial restraint - non-tensile) to connect all metal pipes. For chemicals -30° C up to +250° C

### Test/Approvals:

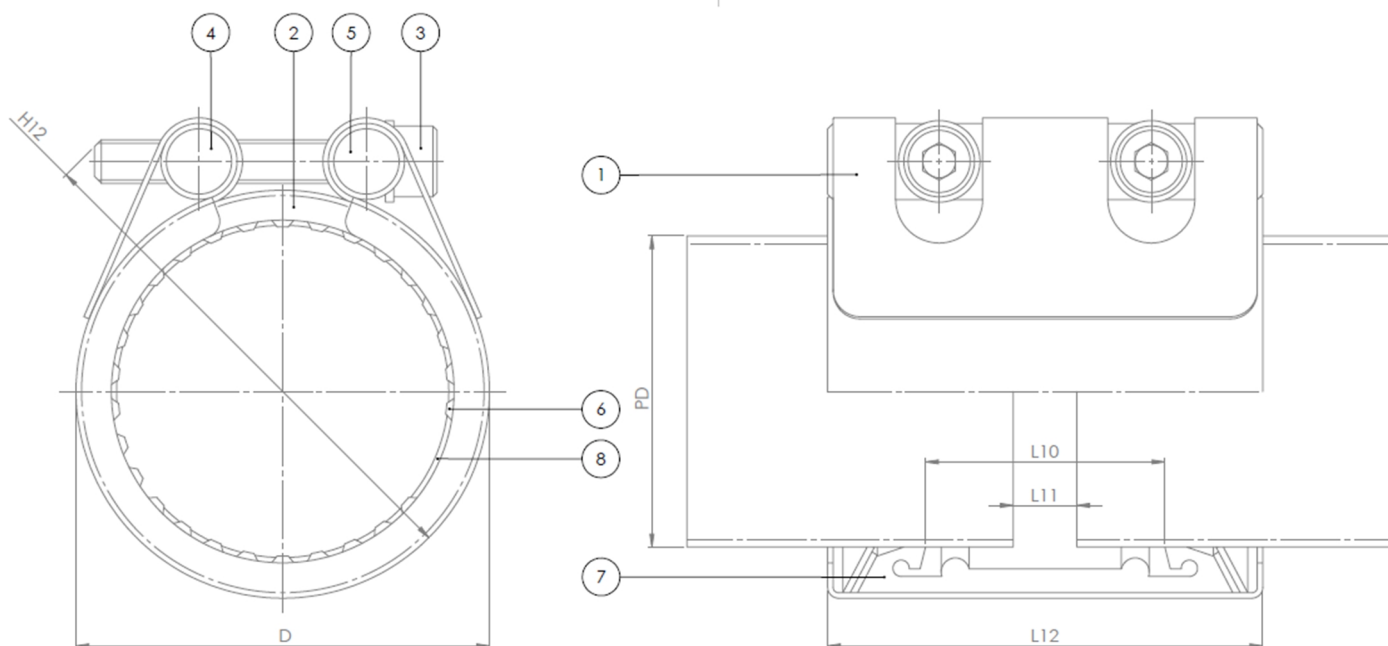
- Rina (pending approval)
- LR (pending approval)
- DNV-GL (pending approval)
- ABS (pending approval)
- BV (pending approval)

### Features:

- Slip Grip type coupling provides a tensile / axial restraint and a non-tensile connection for all metal pipes, allows pipe section replacement and is available in DN 15-300.
- Easy installation by use of a torque wrench, limited space required for installation due to compact design
- Pressure range up to 42,7 bar (620 PSI) depending on size
- Progressive sealing and anchoring
- Max. angular deflection 5° for DN 15-50, 4° for DN 65-175 and 2° for DN >=200
- Main components of stainless steel 316
- Green PTFE coated bolts
- Light weight, appr. 30% in comparison with flanged connections
- 60% noise reduction compared to rigid connections



Expect ... **AVK**



**Component list:**

1. Body	Stainless steel 316	5. Washer	Stainless steel 316
2. Side plate	Stainless steel 316	6. Grip segment	Stainless steel 301
3. Bolt	Stainless steel 316 / PTFE coated	7. Sealing	Viton
4. Nut	Stainless steel 316	8. Support ring	Stainless steel 301

Components may be substituted with equivalent or higher class materials without prior notification.

**Reference nos. and dimensions:**

