



AVK REPICO® - SLIP GRIP TYPE COUPLING (SG)

745/52-113

Tensile / axial restraint - Non-tensile, for all metal pipes, stainless steel 316, SILICONE

AVK's Repico® product program consists of stainless steel pipe couplings and repair couplings for pipe diameters from DN 15 up to DN 2000. The Repico® range offers a quick and simple connection solution for all pipes with possibility of angular deflection and easy handling due to the compact and light weight design.

Product description:

Repico® SG - Slip Grip type coupling (tensile / axial restraint - non-tensile) to connect all metal pipes. For water and neutral liquids -70° C up to +200° C

Test/Approvals:

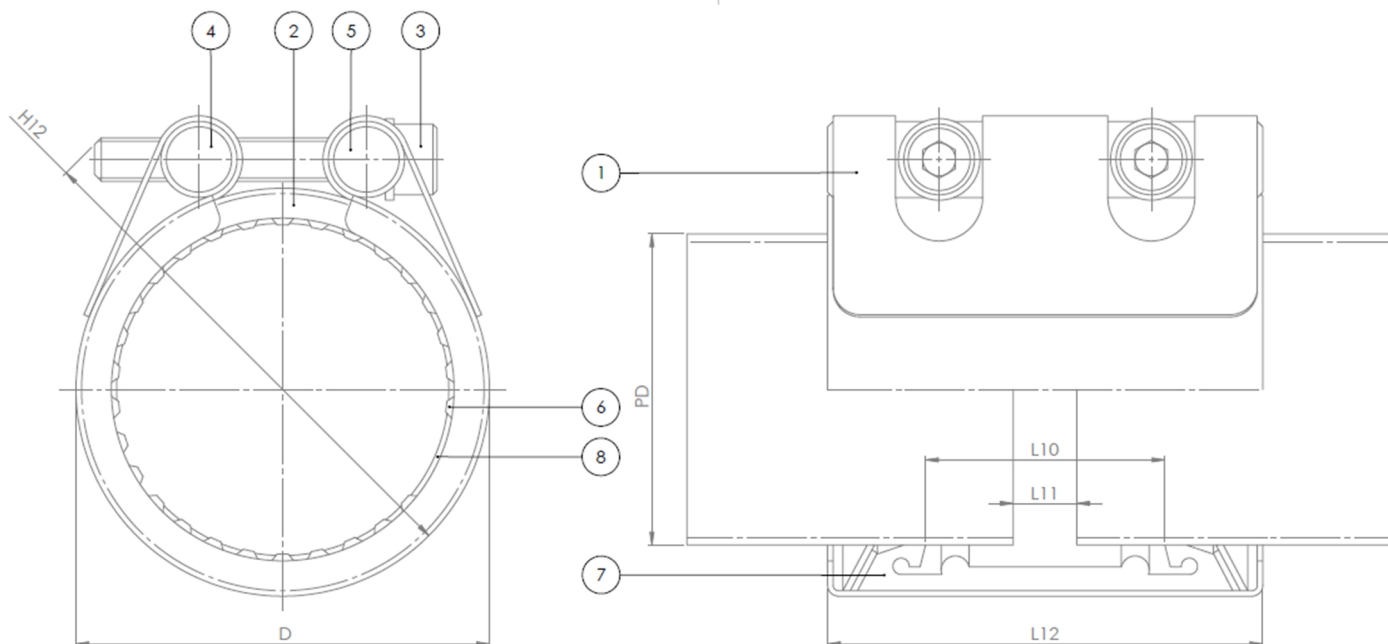
- Rina (pending approval)
- LR (pending approval)
- DNV-GL (pending approval)
- ABS (pending approval)
- BV (pending approval)

Features:

- Slip Grip type coupling provides a tensile / axial restraint and a non-tensile connection for all metal pipes, allows pipe section replacement and is available in DN 15-300.
- Easy installation by use of a torque wrench, limited space required for installation due to compact design
- Pressure range up to 42,7 bar (620 PSI) depending on size
- Progressive sealing and anchoring
- Max. angular deflection 5° for DN 15-50, 4° for DN 65-175 and 2° for DN >=200
- Main components of stainless steel 316
- Green PTFE coated bolts
- Light weight, appr. 30% in comparison with flanged connections
- 60% noise reduction compared to rigid connections



Expect ... **AVK**



Component list:

| | | | |
|---------------|-----------------------------------|-----------------|---------------------|
| 1. Body | Stainless steel 316 | 5. Washer | Stainless steel 316 |
| 2. Side plate | Stainless steel 316 | 6. Grip segment | Stainless steel 301 |
| 3. Bolt | Stainless steel 316 / PTFE coated | 7. Sealing | Silicone Rubber |
| 4. Nut | Stainless steel 316 | 8. Support ring | Stainless steel 301 |

Components may be substituted with equivalent or higher class materials without prior notification.

Reference nos. and dimensions:

| AVK ref. no. | Tolerance mm | Pipe diam. mm | Working Pressure / bar | D mm | H12 mm | L10 mm | L11 mm | L12 mm | Bolts (no x M x L) | Torque Nm | Theoretical weight / kg |
|-------------------|-----------------|------------------|---------------------------|---------|-----------|-----------|-----------|-----------|-----------------------|--------------|----------------------------|
| 745-52-0020-11307 | 19,5 - 20,5 | 20,0 | 42 | 29 | 48 | 28 | 8 | 60 | 2XM6X45 | 7 | 0.2 |
| 745-52-0021-11307 | 21,2 - 22,2 | 21,3 | 42 | 31 | 49 | 28 | 8 | 60 | 2XM6X45 | 7 | 0.2 |
| 745-52-0025-11307 | 24,5 - 25,5 | 25,0 | 42 | 38 | 57 | 28 | 8 | 60 | 2XM8X45 | 8 | 0.3 |
| 745-52-0027-11307 | 26,7 - 27,7 | 26,7 | 42 | 40 | 58 | 28 | 8 | 60 | 2XM8X45 | 8 | 0.3 |
| 745-52-0028-11307 | 27,5 - 29,0 | 28,2 | 42 | 42 | 62 | 28 | 8 | 60 | 2XM8X50 | 8 | 0.3 |
| 745-52-0030-11307 | 29,5 - 30,5 | 30,0 | 42 | 43 | 64 | 28 | 8 | 60 | 2XM8X50 | 8 | 0.3 |
| 745-52-0032-11307 | 31,5 - 32,5 | 32,0 | 42 | 45 | 66 | 28 | 8 | 60 | 2XM8X50 | 8 | 0.4 |
| 745-52-0034-11307 | 33,0 - 34,6 | 33,4 | 42 | 47 | 68 | 28 | 8 | 60 | 2XM8X50 | 8 | 0.4 |
| 745-52-0038-11307 | 37,5 - 38,5 | 38,0 | 42 | 51 | 75 | 28 | 8 | 60 | 2XM8X55 | 10 | 0.4 |
| 745-52-0040-11307 | 39,5 - 41,5 | 40,0 | 42 | 53 | 77 | 28 | 8 | 60 | 2XM8X55 | 10 | 0.4 |
| 745-52-0042-11307 | 41,9 - 43,0 | 42,2 | 42 | 56 | 79 | 28 | 8 | 60 | 2XM8X55 | 10 | 0.4 |
| 745-52-0044-11307 | 44,0 - 45,0 | 44,5 | 42 | 58 | 81 | 28 | 8 | 60 | 2XM8X55 | 10 | 0.4 |
| 745-52-0048-11307 | 47,8 - 49,0 | 48,3 | 42 | 62 | 85 | 28 | 8 | 60 | 2XM8X55 | 10 | 0.4 |
| 745-52-0050-11307 | 49,5 - 51,5 | 50,8 | 42 | 64 | 88 | 28 | 8 | 60 | 2XM8X55 | 10 | 0.4 |
| 745-52-0054-11307 | 53,4 - 54,6 | 54,0 | 42 | 70 | 92 | 44 | 8 | 80 | 2XM8X55 | 15 | 0.6 |
| 745-52-0057-11307 | 56,4 - 57,6 | 57,0 | 42 | 73 | 95 | 44 | 8 | 80 | 2XM8X55 | 15 | 0.6 |
| 745-52-0060-11307 | 59,0 - 61,5 | 60,3 | 42 | 76 | 98 | 44 | 8 | 80 | 2XM8X55 | 15 | 0.7 |
| 745-52-0063-11307 | 62,4 - 63,6 | 63,0 | 42 | 79 | 101 | 44 | 8 | 80 | 2XM8X55 | 15 | 0.7 |
| 745-52-0066-11307 | 65,2 - 67,3 | 66,7 | 37 | 83 | 105 | 44 | 8 | 80 | 2XM8X55 | 15 | 0.7 |
| 745-52-0069-11307 | 68,0 - 70,1 | 69,0 | 37 | 85 | 107 | 44 | 8 | 80 | 2XM8X55 | 15 | 0.7 |
| 745-52-0073-11307 | 71,5 - 74,1 | 73,0 | 37 | 89 | 111 | 44 | 8 | 80 | 2XM8X55 | 15 | 0.7 |
| 745-52-0076-11307 | 75,0 - 77,2 | 76,1 | 37 | 92 | 114 | 44 | 8 | 80 | 2XM8X55 | 15 | 0.7 |
| 745-52-0079-11307 | 78,8 - 80,8 | 79,9 | 37 | 100 | 128 | 59 | 15 | 110 | 2XM12X70 | 20 | 1.3 |

The designs, materials and specifications shown are subject to change without notice due to the continuous development of our product range.

Reference nos. and dimensions:

| AVK ref. no. | Tolerance mm | Pipe diam. mm | Working Pressure / bar | D mm | H12 mm | L10 mm | L11 mm | L12 mm | Bolts (no x M x L) | Torque Nm | Theoretical weight / kg |
|-------------------|-----------------|------------------|---------------------------|---------|-----------|-----------|-----------|-----------|-----------------------|--------------|----------------------------|
| 745-52-0084-11307 | 83,0 - 84,9 | 84,0 | 37 | 104 | 132 | 59 | 15 | 110 | 2XM12X70 | 20 | 1.4 |
| 745-52-0089-11307 | 87,8 - 91,0 | 88,9 | 37 | 109 | 137 | 59 | 15 | 110 | 2XM12X70 | 20 | 1.4 |
| 745-52-0101-11307 | 100,4 - 102,0 | 101,6 | 37 | 122 | 150 | 59 | 15 | 110 | 2XM12X70 | 20 | 1.5 |
| 745-52-0104-11307 | 103,0 - 104,0 | 104,0 | 37 | 124 | 152 | 59 | 15 | 110 | 2XM12X70 | 20 | 1.5 |
| 745-52-0106-11307 | 105,0 - 107,0 | 106,3 | 37 | 126 | 154 | 59 | 15 | 110 | 2XM12X70 | 20 | 1.5 |
| 745-52-0108-11307 | 106,5 - 108,0 | 108,0 | 37 | 128 | 156 | 59 | 15 | 110 | 2XM12X70 | 20 | 1.5 |
| 745-52-0114-11307 | 113,2 - 115,0 | 114,3 | 37 | 134 | 162 | 59 | 15 | 110 | 2XM12X70 | 20 | 1.6 |
| 745-52-0127-11307 | 125,6 - 128,0 | 127,0 | 37 | 149 | 181 | 59 | 15 | 111 | 2XM12X80 | 30 | 1.9 |
| 745-52-0129-11307 | 127,5 - 130,0 | 129,0 | 37 | 151 | 183 | 59 | 15 | 111 | 2XM12X80 | 30 | 2.0 |
| 745-52-0133-11307 | 131,6 - 134,0 | 131,7 | 37 | 153 | 185 | 59 | 15 | 111 | 2XM12X80 | 30 | 2.0 |
| 745-52-0139-11307 | 137,7 - 140,0 | 139,7 | 37 | 161 | 193 | 59 | 15 | 111 | 2XM12X80 | 30 | 2.0 |
| 745-52-0141-11307 | 139,7 - 142,0 | 141,3 | 37 | 163 | 195 | 59 | 15 | 111 | 2XM12X80 | 30 | 2.0 |
| 745-52-0154-11307 | 151,5 - 155,0 | 154,0 | 32 | 176 | 208 | 59 | 15 | 111 | 2XM12X80 | 30 | 2.1 |
| 745-52-0159-11307 | 156,5 - 160,0 | 157,7 | 32 | 179 | 211 | 59 | 15 | 111 | 2XM12X80 | 30 | 2.2 |
| 745-52-0165-11307 | 163,3 - 166,0 | 165,2 | 32 | 187 | 219 | 59 | 15 | 111 | 2XM12X80 | 30 | 2.2 |
| 745-52-0168-11307 | 166,6 - 170,0 | 168,3 | 32 | 190 | 222 | 59 | 15 | 111 | 2XM12X80 | 30 | 2.3 |
| 745-52-0180-11307 | 178,0 - 182,0 | 180,0 | 26 | 202 | 234 | 59 | 15 | 111 | 2XM12X80 | 30 | 2.4 |
| 745-52-0200-11307 | 198,2 - 201,0 | 200,0 | 21 | 226 | 265 | 89 | 15 | 150 | 2XM14X100 | 60 | 4.4 |
| 745-52-0204-11307 | 202,7 - 206,0 | 204,0 | 21 | 230 | 269 | 89 | 15 | 150 | 2XM14X100 | 60 | 4.5 |
| 745-52-0216-11307 | 214,5 - 218,0 | 216,3 | 21 | 242 | 281 | 89 | 15 | 150 | 2XM14X100 | 60 | 4.6 |
| 745-52-0219-11307 | 217,0 - 221,0 | 219,1 | 21 | 245 | 284 | 89 | 15 | 150 | 2XM14X100 | 60 | 4.7 |
| 745-52-0254-11307 | 251,4 - 256,0 | 254,0 | 21 | 280 | 319 | 89 | 15 | 150 | 2XM14X100 | 60 | 5.1 |
| 745-52-0267-11307 | 264,8 - 270,0 | 267,4 | 21 | 293 | 332 | 89 | 15 | 150 | 2XM14X100 | 60 | 5.2 |
| 745-52-0273-11307 | 270,4 - 275,0 | 273,0 | 21 | 299 | 338 | 89 | 15 | 150 | 2XM14X100 | 60 | 5.3 |
| 745-52-0304-11307 | 301,5 - 306,0 | 304,0 | 18 | 330 | 369 | 89 | 15 | 150 | 2XM14X100 | 60 | 5.7 |
| 745-52-0318-11307 | 316,0 - 322,0 | 318,5 | 18 | 345 | 383 | 89 | 15 | 150 | 2XM14X100 | 60 | 5.9 |
| 745-52-0323-11307 | 321,0 - 327,0 | 323,9 | 18 | 350 | 388 | 89 | 15 | 150 | 2XM14X100 | 60 | 5.9 |
| 745-52-0355-11307 | 352,0 - 360,0 | 355,6 | 18 | 382 | 420 | 89 | 15 | 150 | 2XM14X100 | 60 | 6.3 |
| 745-52-0406-11307 | 402,0 - 410,0 | 406,4 | 16 | 432 | 471 | 89 | 15 | 150 | 2XM14X100 | 60 | 7.0 |