



AVK REPICO® - GRIP TYPE COUPLING LOW PRESSURE (GLP)

745/10-112

Tensile / axial restraint, for all metal pipes, stainless steel 316, NBR

AVK's Repico® product program consists of stainless steel pipe couplings and repair couplings for pipe diameters from DN 15 up to DN 2000. The Repico® range offers a quick and simple connection solution for all pipes with possibility of angular deflection and easy handling due to the compact and light weight design.

Product description:

Repico® GLP - Grip type coupling low pressure (tensile / axial restraint) to connect all metal pipes. For water and wastewater -30°C up to +40° C

Test/Approvals:

- Rina (pending approval)
- LR (pending approval)
- DNV-GL (pending approval)
- ABS (pending approval)
- BV (pending approval)

Material approvals:

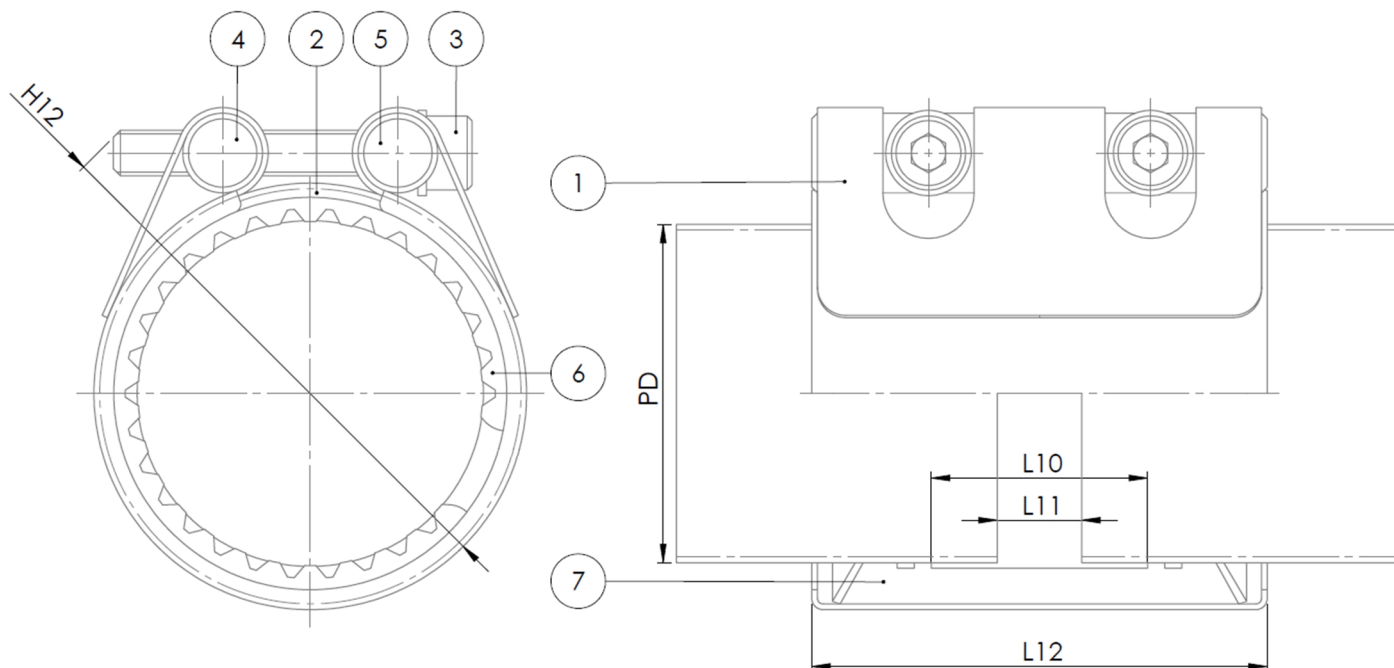
- EN 681-1
- EN 682 (DVGW)
- XP P 41-250 (ACS)
- AS/NZS 4020

Features:

- Grip type coupling low pressure provides a tensile / axial restraint connection for all metal pipes, allows pipe section replacement and is available in DN 20-125.
- Easy installation by use of a torque wrench, limited space required for installation due to compact design
- Pressure range up to 6 bar (87 PSI) depending on size
- Progressive sealing and anchoring
- Max. angular deflection 5° for DN 15-50 and 4° for DN 65-175
- Main components of stainless steel 316
- Green PTFE coated bolts
- Light weight, appr. 30% in comparison with flanged connections
- 60% noise reduction compared to rigid connections



Expect ... **AVR**



Component list:

1. Body	Stainless steel 316	5. Washer	Stainless steel 316
2. Side plate	Stainless steel 316	6. Grip segment	Stainless steel 301
3. Bolt	Stainless steel 316 / PTFE coated	7. Sealing	NBR rubber
4. Nut	Stainless steel 316		

Components may be substituted with equivalent or higher class materials without prior notification.

Reference nos. and dimensions:

AVK ref. no.	DN	Tolerance	Pipe diam.	Working Pressure / bar	D	H12	L10	L11	L12	Bolts (no x M x L)	Theoretical weight / kg
	mm	mm	mm		mm	mm	mm	mm	mm		
745-10-0027-11201	20	26,7 - 27,7	26,7	6	40	58	28	8	60	2XM6X45	0.3
745-10-0034-11201	25	33,0 - 34,6	33,4	6	47	68	28	8	60	2XM6X50	0.3
745-10-0042-11201	32	41,9 - 43,0	42,2	6	56	79	28	8	60	2XM6X55	0.3
745-10-0048-11201	40	47,8 - 49,0	48,3	6	62	85	28	8	60	2XM6X55	0.3
745-10-0060-11201	50	59,0 - 61,5	60,3	6	76	98	28	8	60	2XM6X55	0.4
745-10-0076-11201	65	75,0 - 77,2	76,1	6	92	114	44	8	80	2XM8X55	0.7
745-10-0089-11201	80	87,8 - 91,0	88,9	6	109	137	44	8	80	2XM8X70	0.9
745-10-0114-11201	100	113,2 - 115,0	114,3	6	134	162	59	15	110	2XM12X70	1.5
745-10-0139-11201	125	137,7 - 140,0	139,7	6	160	193	59	15	110	2XM12X80	1.8
745-10-0165-11201	150	163,3 - 166,0	165,2	6	185	218	59	15	110	2XM12X80	1.9
745-10-0216-11201	200	214,5 - 218,0	216,3	3	241	280	59	15	110	2XM12X100	2.8