



AVK REPICO® - GRIP TYPE COUPLING HIGH PRESSURE (GF)

745/05-112

Tensile / axial restraint, stainless steel 316, NBR

AVK's Repico® product program consists of stainless steel pipe couplings and repair couplings for pipe diameters from DN 15 up to DN 2000 depending on the Repico® type. These products are fully assembled and ready to install with only a torque wrench. They do not only guarantee a quick and simple assembly, but also offer an economical and sustainable solution. AVK Repico® pipe couplings absorb noise and vibration, allow angular deflection and expansion/contraction (non restraint).

Product description:

Repico® GF - Grip type coupling high pressure (tensile / axial restraint) for gas, water and wastewater -25° C up to +80° C

Test/Approvals:

- Rina (pending approval)
- LR (pending approval)
- DNV-GL (pending approval)
- ABS (pending approval)
- BV (pending approval)

Material approvals:

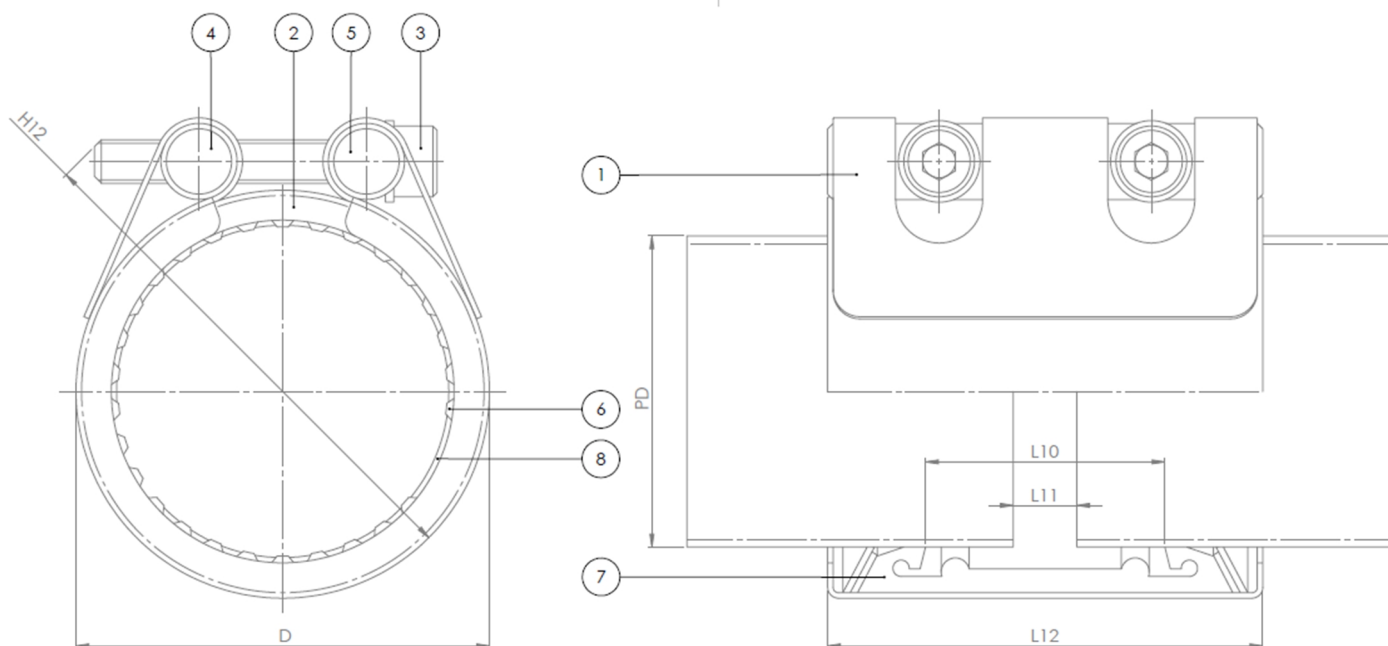
- EN 681-1
- EN 682 (DVGW)
- XP P 41-250 (ACS)
- AS/NZS 4020

Features:

- Grip type coupling high pressure provides a tensile / axial restraint connection for all metal pipes, allows pipe section replacement, suitable for high pressure, and is available in DN 65-300.
- Easy installation by use of a torque wrench, limited space required for installation due to compact design.
- Pressure range up to 42,7 bar (620 PSI) depending on size
- Progressive sealing and anchoring
- Max. angular deflection 4° for DN 65-175 and 2° for DN >= 200
- Main components of stainless steel 316
- Green PTFE coated bolts
- Light weight, appr. 30% in comparison with flanged connections
- 60% noise reduction compared to rigid connections



Expect ... **AVR**



Component list:

1. Body	Stainless steel 316	5. Washer	Stainless steel 316
2. Side plate	Stainless steel 316	6. Grip segment	Stainless steel 301
3. Bolt	Stainless steel 316 / PTFE coated	7. Sealing	NBR rubber
4. Nut	Stainless steel 316	8. Support ring	Stainless steel 301

Components may be substituted with equivalent or higher class materials without prior notification.

Reference nos. and dimensions:

AVK ref. no.	Tolerance mm	Pipe diam. mm	D mm	H12 mm	L10 mm	L11 mm	L12 mm	Bolts (no x M x L)	Torque Nm	Theoretical weight / kg
745-05-0066-11201	65,2 - 67,3	66,7	84	105	44	8	81	2XM8X55	18	0.8
745-05-0069-11201	68,0 - 70,1	69,0	87	108	44	8	81	2XM8X55	18	0.9
745-05-0073-11201	71,5 - 74,1	73,0	91	112	44	8	81	2XM8X55	18	0.9
745-05-0076-11201	75,0 - 77,2	76,1	94	115	44	8	81	2XM8X55	18	0.9
745-05-0079-11201	78,8 - 80,8	79,9	101	128	59	15	111	2XM12X70	35	1.6
745-05-0084-11201	83,0 - 84,9	84,0	106	133	59	15	111	2XM12X70	35	1.6
745-05-0089-11201	87,8 - 91,0	88,9	110	137	59	15	111	2XM12X70	35	1.7
745-05-0101-11201	100,4 - 102,0	101,6	123	150	59	15	111	2XM12X70	35	1.8
745-05-0104-11201	103,0 - 104,0	104,0	126	153	59	15	111	2XM12X70	35	1.8
745-05-0106-11201	105,0 - 107,0	106,3	128	155	59	15	111	2XM12X70	35	1.9
745-05-0108-11201	106,5 - 108,0	108,0	130	157	59	15	111	2XM12X70	35	1.9
745-05-0114-11201	113,2 - 115,0	114,3	136	163	59	15	111	2XM12X70	35	1.9
745-05-0127-11201	125,6 - 128,0	127,0	152	182	59	15	113	2XM12X80	45	2.6
745-05-0129-11201	127,5 - 130,0	129,0	154	184	59	15	113	2XM12X80	45	2.6
745-05-0133-11201	131,6 - 134,0	131,7	156	186	59	15	113	2XM12X80	45	2.7
745-05-0139-11201	137,7 - 140,0	139,7	164	194	59	15	113	2XM12X80	45	2.8
745-05-0141-11201	139,7 - 142,0	141,3	166	196	59	15	113	2XM12X80	45	2.8
745-05-0154-11201	151,5 - 155,0	154,0	179	209	59	15	113	2XM12X80	45	2.9
745-05-0159-11201	156,5 - 160,0	157,7	182	212	59	15	113	2XM12X80	45	3.0
745-05-0165-11201	163,3 - 166,0	165,2	190	220	59	15	113	2XM12X80	45	3.1
745-05-0168-11201	166,6 - 170,0	168,3	193	223	59	15	113	2XM12X80	45	3.1
745-05-0180-11201	178,0 - 182,0	180,0	205	235	59	15	113	2XM12X80	45	3.2
745-05-0200-11201	198,2 - 201,0	200,0	229	266	89	15	152	2XM14X100	70	5.7

The designs, materials and specifications shown are subject to change without notice due to the continuous development of our product range.

Reference nos. and dimensions:

AVK ref. no.	Tolerance mm	Pipe diam. mm	D mm	H12 mm	L10 mm	L11 mm	L12 mm	Bolts (no x M x L)	Torque Nm	Theoretical weight / kg
745-05-0204-11201	202,7 - 206,0	204,0	233	270	89	15	152	2XM14X100	70	5.8
745-05-0216-11201	214,5 - 218,0	216,3	245	282	89	15	152	2XM14X100	70	6.0
745-05-0219-11201	217,0 - 221,0	219,1	248	285	89	15	152	2XM14X100	70	6.1
745-05-0254-11201	251,4 - 256,0	254,0	283	320	89	15	152	2XM14X100	70	6.7
745-05-0267-11201	264,8 - 270,0	267,4	296	333	89	15	152	2XM14X100	70	6.9
745-05-0273-11201	270,4 - 275,0	273,0	302	339	89	15	152	2XM14X100	70	7.0
745-05-0304-11201	301,5 - 306,0	304,0	333	370	89	15	152	2XM14X100	70	7.5
745-05-0318-11201	316,0 - 322,0	318,5	348	384	89	15	152	2XM14X100	70	7.8
745-05-0323-11201	321,0 - 327,0	323,9	353	389	89	15	152	2XM14X100	70	7.9