



## AVK REPICO® - GRIP TYPE COUPLING, (G)

745/01-114

Tensile / axial restraint, for all metal pipes, stainless steel 316, FKM

AVK's Repico® product program consists of stainless steel pipe couplings and repair couplings for pipe diameters from DN 15 up to DN 2000. The Repico® range offers a quick and simple connection solution for all pipes with possibility of angular deflection and easy handling due to the compact and light weight design.

### Product description:

Repico® G - Grip type coupling (tensile / axial restraint) to connect all metal pipes. For chemicals -30° C up to +250° C

### Test/Approvals:

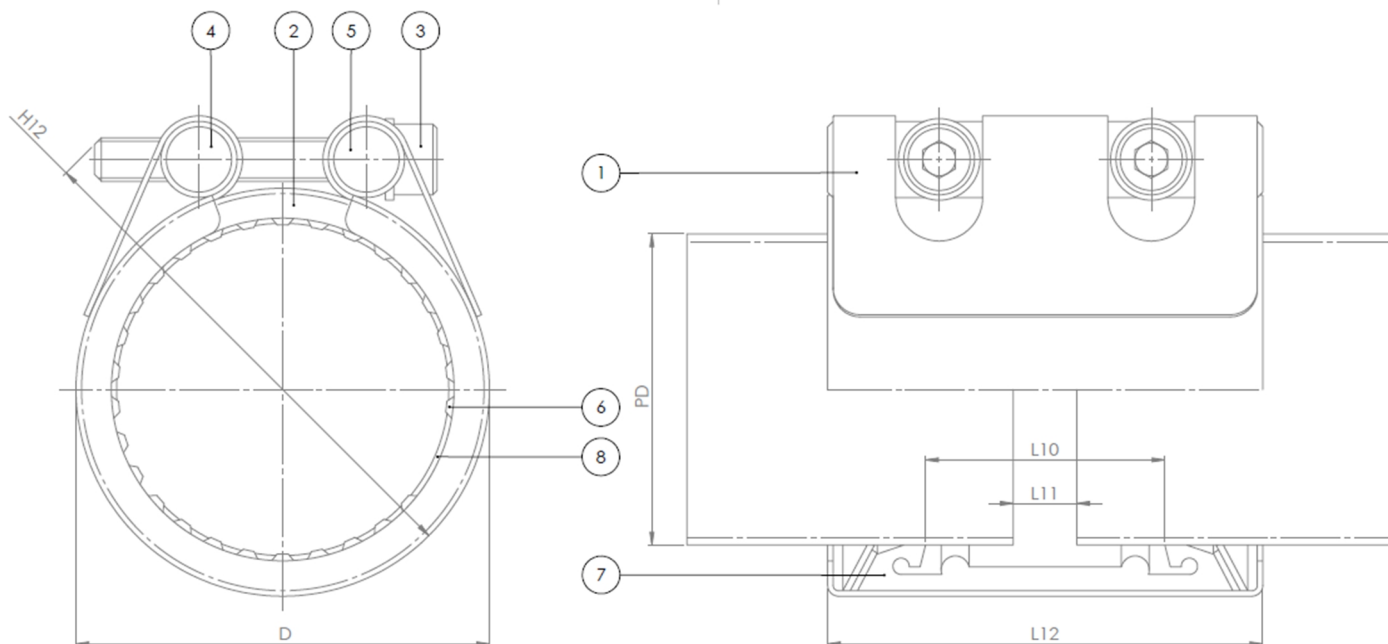
- Rina (pending approval)
- LR (pending approval)
- DNV-GL (pending approval)
- ABS (pending approval)
- BV (pending approval)

### Features:

- Grip type coupling provides a tensile / axial restraint connection for all metal pipes, allows pipe section replacement, suitable for high pressure, and is available in DN 15-400
- Easy installation by use of a torque wrench, limited space required for installation due to compact design
- Pressure range up to 42,7 bar (620 PSI) depending on size
- Progressive sealing and anchoring
- Max. angular deflection 5° for DN 15-50, 4° for DN 65-175 and 2° for DN  $\geq$  200
- Main components of stainless steel 316
- Green PTFE coated bolts
- Light weight, appr. 30% in comparison with flanged connections
- 60% noise reduction compared to rigid connections



Expect ... **AVR**



**Component list:**

1. Body	Stainless steel 316	5. Washer	Stainless steel 316
2. Side plate	Stainless steel 316	6. Grip segment	Stainless steel 301
3. Bolt	Stainless steel 316 / PTFE coated	7. Sealing	Viton
4. Nut	Stainless steel 316	8. Support ring	Stainless steel 301

Components may be substituted with equivalent or higher class materials without prior notification.

**Reference nos. and dimensions:**

AVK ref. no.	Tolerance mm	Pipe diam. mm	Working Pressure / bar	D mm	H12 mm	L10 mm	L11 mm	L12 mm	Bolts (no x M x L)	Torque Nm	Theoretical weight / kg
745-01-0020-11401	19,5 - 20,5	20,0	42	29	48	28	8	60	2XM6X45	7	0.2
745-01-0021-11401	21,2 - 22,2	21,3	42	31	49	28	8	60	2XM6X45	7	0.2
745-01-0025-11401	24,5 - 25,5	25,0	42	38	57	28	8	60	2XM8X45	8	0.3
745-01-0027-11401	26,7 - 27,7	26,7	42	40	58	28	8	60	2XM8X45	8	0.3
745-01-0028-11401	27,5 - 29,0	28,2	42	42	62	28	8	60	2XM8X50	8	0.4
745-01-0030-11401	29,5 - 30,5	30,0	42	43	64	28	8	60	2XM8X50	8	0.4
745-01-0032-11401	31,5 - 32,5	32,0	42	45	66	28	8	60	2XM8X50	8	0.4
745-01-0034-11401	33,0 - 34,6	33,4	42	47	68	28	8	60	2XM8X50	8	0.4
745-01-0038-11401	37,5 - 38,5	38,0	42	51	75	28	8	60	2XM8X55	15	0.4
745-01-0040-11401	39,5 - 41,5	40,0	42	53	77	28	8	60	2XM8X55	15	0.4
745-01-0042-11401	41,9 - 43,0	42,2	42	56	79	28	8	60	2XM8X55	15	0.4
745-01-0044-11401	44,0 - 45,0	44,5	42	58	81	28	8	60	2XM8X55	15	0.4
745-01-0048-11401	47,8 - 49,0	48,3	42	62	85	28	8	60	2XM8X55	15	0.4
745-01-0050-11401	49,5 - 51,5	50,8	42	64	88	28	8	60	2XM8X55	15	0.4
745-01-0054-11401	53,4 - 54,6	54,0	42	70	92	44	8	80	2XM8X55	18	0.7
745-01-0057-11401	56,4 - 57,6	57,0	42	73	95	44	8	80	2XM8X55	18	0.7
745-01-0060-11401	59,0 - 61,5	60,3	42	76	98	44	8	80	2XM8X55	18	0.7
745-01-0063-11401	62,4 - 63,6	63,0	42	79	101	44	8	80	2XM8X55	18	0.7
745-01-0066-11401	65,2 - 67,3	66,7	37	83	105	44	8	80	2XM8X55	18	0.7
745-01-0069-11401	68,0 - 70,1	69,0	37	85	107	44	8	80	2XM8X55	18	0.7
745-01-0073-11401	71,5 - 74,1	73,0	37	89	111	44	8	80	2XM8X55	18	0.8
745-01-0076-11401	75,0 - 77,2	76,1	37	92	114	44	8	80	2XM8X55	18	0.8
745-01-0079-11401	78,8 - 80,8	79,9	37	100	128	59	15	110	2XM12X70	35	1.4

The designs, materials and specifications shown are subject to change without notice due to the continuous development of our product range.

**Reference nos. and dimensions:**

AVK ref. no.	Tolerance mm	Pipe diam. mm	Working Pressure / bar	D mm	H12 mm	L10 mm	L11 mm	L12 mm	Bolts (no x M x L)	Torque Nm	Theoretical weight / kg
745-01-0084-11401	83,0 - 84,9	84,0	37	104	132	59	15	110	2XM12X70	35	1.4
745-01-0089-11401	87,8 - 91,0	88,9	37	109	137	59	15	110	2XM12X70	35	1.5
745-01-0101-11401	100,4 - 102,0	101,6	37	122	150	59	15	110	2XM12X70	35	1.5
745-01-0104-11401	103,0 - 104,0	104,0	37	124	152	59	15	110	2XM12X70	35	1.6
745-01-0106-11401	105,0 - 107,0	106,3	37	126	154	59	15	110	2XM12X70	35	1.6
745-01-0108-11401	106,5 - 108,0	108,0	37	128	156	59	15	110	2XM12X70	35	1.6
745-01-0114-11401	113,2 - 115,0	114,3	37	134	162	59	15	110	2XM12X70	35	1.7
745-01-0127-11401	125,6 - 128,0	127,0	37	149	181	59	15	111	2XM12X80	45	2.1
745-01-0129-11401	127,5 - 130,0	129,0	37	151	183	59	15	111	2XM12X80	45	2.1
745-01-0133-11401	131,6 - 134,0	131,7	37	153	185	59	15	111	2XM12X80	45	2.1
745-01-0139-11401	137,7 - 140,0	139,7	37	161	193	59	15	111	2XM12X80	45	2.2
745-01-0141-11401	139,7 - 142,0	141,3	37	163	195	59	15	111	2XM12X80	45	2.2
745-01-0154-11401	151,5 - 155,0	154,0	32	176	208	59	15	111	2XM12X80	45	2.3
745-01-0159-11401	156,5 - 160,0	157,7	32	179	211	59	15	111	2XM12X80	45	2.3
745-01-0165-11401	163,3 - 166,0	165,2	32	187	219	59	15	111	2XM12X80	45	2.4
745-01-0168-11401	166,6 - 170,0	168,3	32	190	222	59	15	111	2XM12X80	45	2.4
745-01-0180-11401	178,0 - 182,0	180,0	26	202	234	59	15	111	2XM12X80	45	2.5
745-01-0200-11401	198,2 - 201,0	200,0	21	226	265	89	15	150	2XM14X100	70	4.6
745-01-0204-11401	202,7 - 206,0	204,0	21	230	269	89	15	150	2XM14X100	70	4.7
745-01-0216-11401	214,5 - 218,0	216,3	21	242	281	89	15	150	2XM14X100	70	4.8
745-01-0219-11401	217,0 - 221,0	219,1	21	245	284	89	15	150	2XM14X100	70	4.9
745-01-0254-11401	251,4 - 256,0	254,0	21	280	319	89	15	150	2XM14X100	70	5.3
745-01-0267-11401	264,8 - 270,0	267,4	21	293	332	89	15	150	2XM14X100	70	5.5
745-01-0273-11401	270,4 - 275,0	273,0	21	299	338	89	15	150	2XM14X100	70	5.6
745-01-0304-11401	301,5 - 306,0	304,0	18	330	369	89	15	150	2XM14X100	70	6.0
745-01-0318-11401	316,0 - 322,0	318,5	18	345	383	89	15	150	2XM14X100	70	6.2
745-01-0323-11401	321,0 - 327,0	323,9	18	350	388	89	15	150	2XM14X100	70	6.3
745-01-0355-11401	352,0 - 360,0	355,6	18	382	420	89	15	150	2XM14X100	70	6.7
745-01-0406-11401	402,0 - 410,0	406,4	16	432	471	89	15	150	2XM14X100	70	7.4