



AVK UNIVERSAL TAPPING SADDLE

730/2

For ductile iron, steel and other metal pipes

01



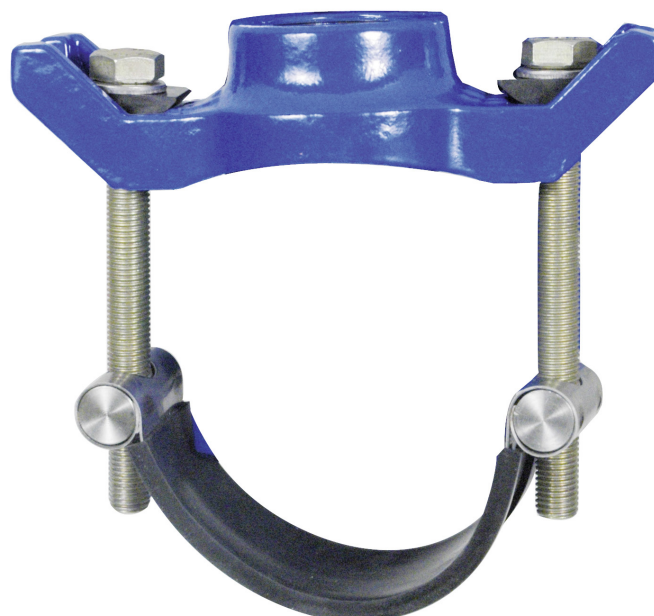
AVK tapping saddles are easy to mount, maintenance free and designed for long life. A large profiled rubber gasket of EPDM ensures a drop tight seal against a rough pipe surface. The stirrup is rubber lined for optimal protection of the pipe. A conical POM washer enables easy angling of the bolts thus giving the stirrup optimum flexibility.

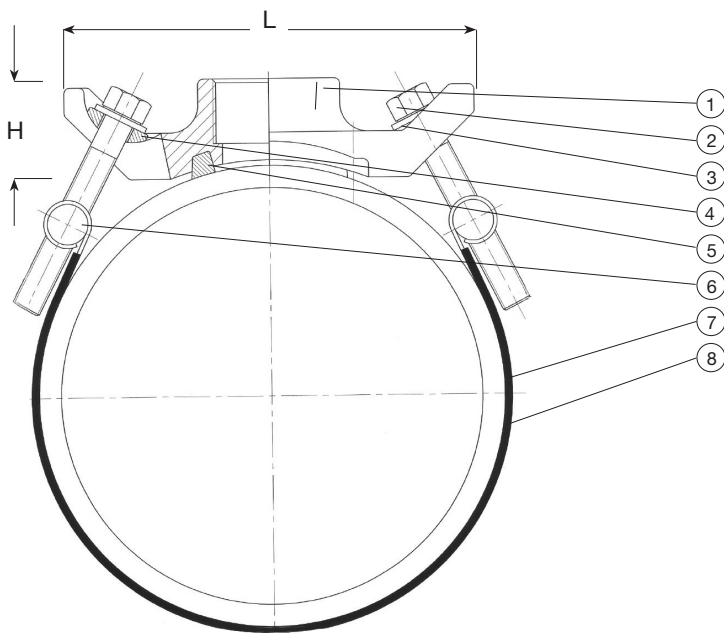
Product Description:

Universal tapping saddle incl. stirrup for drinking water and neutral liquids to max. 70°C

Features:

- Ductile iron saddle head with an open slot on one side and a closed slot on the other side for easy mounting of the stirrup
- 50 mm wide stirrup of AISI 304 with rubber liner inside. Stirrup and bolt with bush type connection
- M16 bolt of stainless steel A2 with antifriction coating, supported by a POM washer to give optimum flexibility and minimum friction upon installation
- M16 cylinder bush, drilled and tapped, with the stirrup plate rolled around to ensure high strength and long life.
- Sealing gasket of EPDM rubber
- Epoxy coating to DIN 30677





Component List:

1. Saddle head	Ductile iron, min. GJS-400-15 (GGG-40)	2. Bolt	Stainless steel A2
3. Washer	Stainless steel A2	4. Support washer	POM
5. Gasket	EPDM rubber	6. Stirrup bushing	Stainless steel A2
7. Band	Stainless steel A2	8. Lining	NBR rubber

Components may be substituted with equivalent or higher class materials without prior notification.

Reference Nos. and Dimensions:

AVK ref. nos	DN mm	BSP thread	L mm	H mm	T mm	Upper Part mm	Theoretic. weight kg
730-2-088-12134	50	1/2"	180	30	50 - 88	50 - 200	2.3
730-2-088-22134	50	3/4"	180	30	50 - 88	50 - 200	2.3
730-2-088-32134	50	1"	180	30	50 - 88	50 - 200	2.3
730-2-088-42134	50	1 1/4"	180	30	50 - 88	50 - 200	2.3
730-2-088-52134	50	1 1/2"	180	30	50 - 88	50 - 200	2.3
730-2-118-12134	80	1/2"	180	30	88 - 118	50 - 200	2.3
730-2-118-22134	80	3/4"	180	30	88 - 118	50 - 200	2.3
730-2-118-32134	80	1"	180	30	88 - 118	50 - 200	2.3
730-2-118-42134	80	1 1/4"	180	30	88 - 118	50 - 200	2.3
730-2-118-52134	80	1 1/2"	180	30	88 - 118	50 - 200	2.3
730-2-118-62137	80	2"	180	30	88 - 118	50 - 200	2.3
730-2-133-12134	100	1/2"	180	30	105 - 133	50 - 200	2.4
730-2-133-22134	100	3/4"	180	30	105 - 133	50 - 200	2.4
730-2-133-32134	100	1"	180	30	105 - 133	50 - 200	2.4
730-2-133-42134	100	1 1/4"	180	30	105 - 133	50 - 200	2.4
730-2-133-52134	100	1 1/2"	180	30	105 - 133	50 - 200	2.4
730-2-133-62137	100	2"	180	30	105 - 133	50 - 200	2.4
730-2-159-32134	125	1"	180	30	133 - 159	50 - 200	2.4
730-2-159-42134	125	1 1/4"	180	30	133 - 159	50 - 200	2.4

The designs, materials and specifications shown are subject to change without notice. This is due to the continuous development of our product programme.

AVK ref. nos	DN mm	BSP thread	L mm	H mm	T mm	Upper Part mm	Theoretic. weight kg
730-2-159-52134	125	1 1/2"	180	30	133 - 159	50 - 200	2.4
730-2-159-62137	125	2"	180	30	133 - 159	50 - 200	2.5
730-2-186-32134	150	1"	180	30	156 - 186	50 - 200	2.7
730-2-186-42134	150	1 1/4"	180	30	156 - 186	50 - 200	2.7
730-2-186-52134	150	1 1/2"	180	30	156 - 186	50 - 200	2.7
730-2-186-62137	150	2"	220	30	156 - 186	80 - 300	2.6
730-2-216-32134	175	1"	180	30	186 - 216	50 - 200	2.7
730-2-216-42134	175	1 1/4"	180	30	186 - 216	50 - 200	2.7
730-2-216-52134	175	1 1/2"	180	30	186 - 216	50 - 200	2.7
730-2-216-62137	175	2"	180	30	186 - 216	50 - 200	2.7
730-2-244-32134	200	1"	180	30	210 - 244	50 - 200	2.8
730-2-244-42134	200	1 1/4"	180	30	210 - 244	50 - 200	2.8
730-2-244-52134	200	1 1/2"	180	30	210 - 244	50 - 200	2.8
730-2-244-62137	200	2"	220	50	210 - 244	80 - 300	2.8
730-2-270-32137	225	1"	220	50	210 - 244	80 - 300	2.8
730-2-270-42137	225	1 1/4"	220	50	240 - 270	80 - 300	2.8
730-2-270-52137	225	1 1/2"	220	50	240 - 270	80 - 300	2.8
730-2-270-62137	225	2"	220	50	240 - 270	80 - 300	2.8
730-2-298-32137	250	1"	220	50	265 - 298	80 - 300	2.8
730-2-298-42137	250	1 1/4"	220	50	265 - 298	80 - 300	2.8
730-2-298-52137	250	1 1/2"	220	50	265 - 298	80 - 300	2.8
730-2-298-62137	250	2"	220	50	265 - 298	80 - 300	2.8
730-2-330-32137	275	1"	220	50	299 - 330	80 - 300	3.0
730-2-330-42137	275	1 1/4"	220	50	299 - 330	80 - 300	3.0
730-2-330-52137	275	1 1/2"	220	50	299 - 330	80 - 300	3.0
730-2-330-62137	275	2"	220	50	299 - 330	80 - 300	6.0
730-2-345-32137	300	1"	220	50	315 - 345	80 - 300	3.0
730-2-345-42137	300	1 1/4"	220	50	315 - 345	80 - 300	3.0
730-2-345-52137	300	1 1/2"	220	50	315 - 345	80 - 300	3.0
730-2-345-62137	300	2"	220	50	315 - 345	80 - 300	3.0
730-2-360-32137	300	1"	220	50	325 - 360	80 - 300	3.0
730-2-360-42137	300	1 1/4"	220	50	325 - 360	80 - 300	3.0
730-2-360-52137	300	1 1/2"	220	50	325 - 360	80 - 300	3.0
730-2-360-62137	300	2"	220	50	325 - 360	80 - 300	3.0

AVK UNIVERSAL TAPPING SADDLE

For ductile iron, steel and other metal pipes

730/2

01

