



## AVK QR TRANSITION COUPLING

733/2-100

Steel pipes, EPDM, AISI304



AVK's QR transition coupling sets a new standard for Quick Repair of leaking pipe connections. This QR transition coupling is very easy to assemble without stopping the flow in the pipeline. The wedges are also easy to assemble without using a special tool. The QR transition coupling is maintenance free and made entirely of stainless steel with a rubber sealing inside and is therefore fully protected against corrosion.



### Product description:

AVK QR transition coupling for water -20° C up to +70° C

### Standards:

- Designed and tested according to NEN-EN 681 and NEN-EN ISO 9227

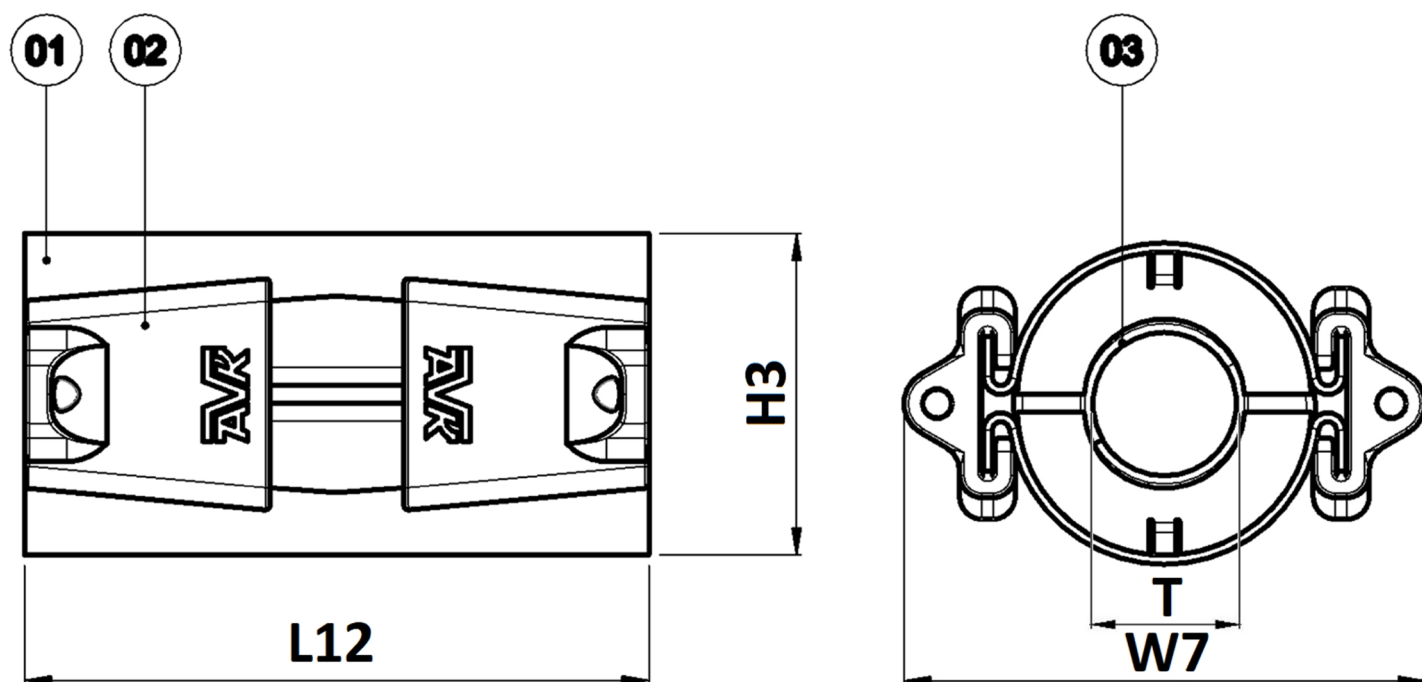


### Features:

- Fast and easy installation (no use of repair tape)
- Cleaning of pipeline only where the sealing takes place
- Light weight
- Bolt free to assemble
- Max. working pressure 10 bar
- Developed with at least 30 years of functionality (under normal conditions)
- Resistant to vibrations of pipeline
- Steel pipe diameter 1", 1 1/4", 1 1/2" and 2"



Expect ... **AVK**



**Component list:**

1. Body	Stainless steel 304	3. Lining	EPDM rubber
2. Wedge	Stainless steel 304		

Components may be substituted with equivalent or higher class materials without prior notification.

**Reference nos. and dimensions:**

AVK ref. no.	T mm	H3 mm	L12 mm	W7 mm
733-032-2-100	33,3 - 34,6	70	140	126
733-040-2-100	41,7 - 43,3	79	140	135
733-050-2-100	47,5 - 49,0	85	140	141
733-063-2-100	59,5 - 61,0	97	140	153