



AVK QR TRANSITION COUPLING

733/1-101

Steel pipes, NBR, AISI304, with test nipple.

AVK's QR transition coupling sets a new standard for Quick Repair of leaking pipe connections. This QR transition coupling is very easy to assemble without stopping the flow in the pipeline. The wedges are also easy to assemble without using a special tool. After assembling the QR transition coupling over the existing threaded connection the optional test outlet can be used for pressure testing. The QR transition coupling is maintenance free and made entirely of stainless steel with a rubber sealing inside and is therefore fully protected against corrosion.

Product description:

AVK QR transition coupling for Gas -20° C up to +70° C

Standards:

- Designed and tested according to NEN-EN 682, NEN-EN 102550, BRL 17602, NEN-EN 751, NEN-EN ISO 9227 and KE186

Test/Approvals:

- Approved according to KIWA GT-130177-v3

Features:

- Fast and easy installation (no use of repair tape)
- Cleaning of pipeline only where the sealing takes place
- Light weight
- Bolt free to assemble
- Maintenance free
- Max. working pressure 300 mbar
- Functionality will remain at least 30 years (under normal conditions)
- Resistant to vibrations of pipeline
- Steel pipe diameter 1" and 1 1/4"

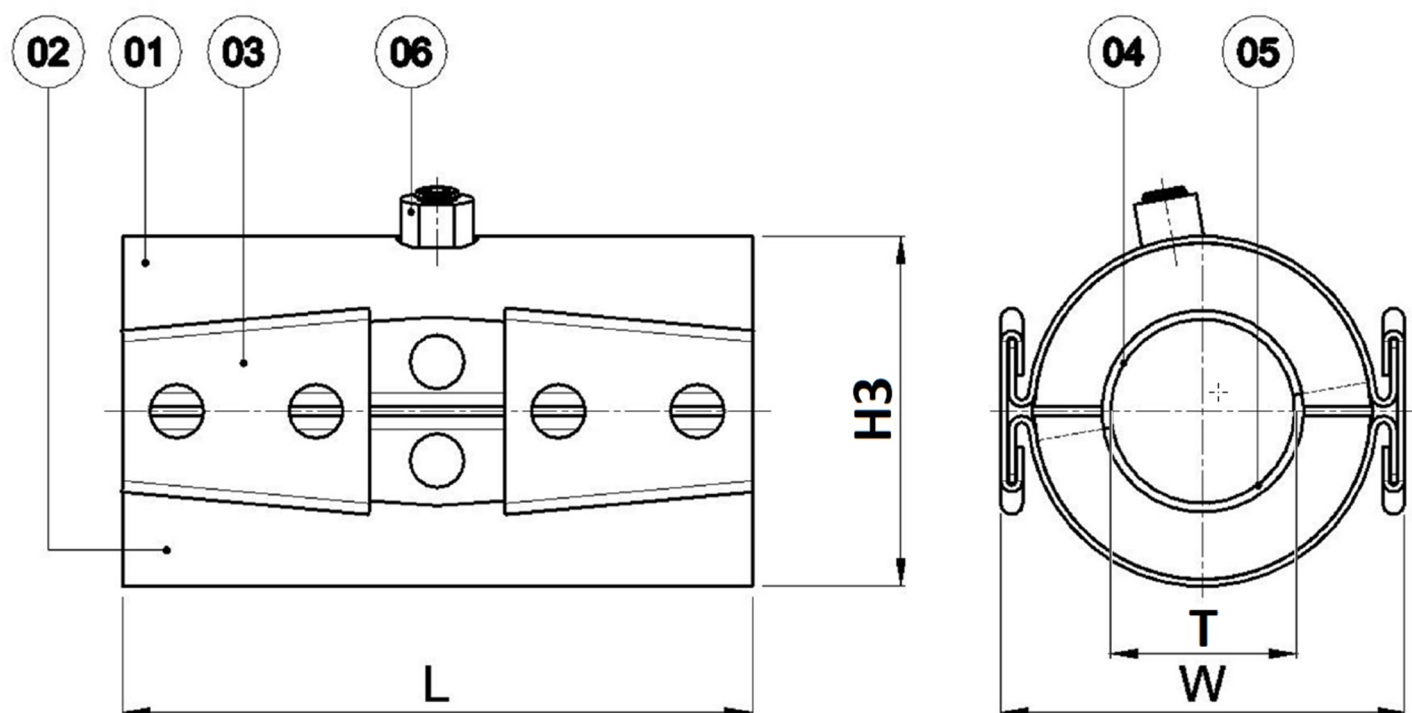


Expect ... **AVK**

AVK QR TRANSITION COUPLING

733/1-101

Steel pipes, NBR, AISI304, with test nipple.



Component list:

1. Top part	Stainless steel 304	4. Lining	NBR rubber
2. Bottom part	Stainless steel 304	5. Lining	NBR rubber
3. Wedge	Stainless steel 304	6. Nipple	Stainless steel 304

Components may be substituted with equivalent or higher class materials without prior notification.

Reference nos. and dimensions:

AVK ref. no.	T mm	H3 mm	L mm	W mm
733-032-1-101	33,3 - 34,6	69	140	81
733-040-1-101	41,7 - 43,3	78	140	90